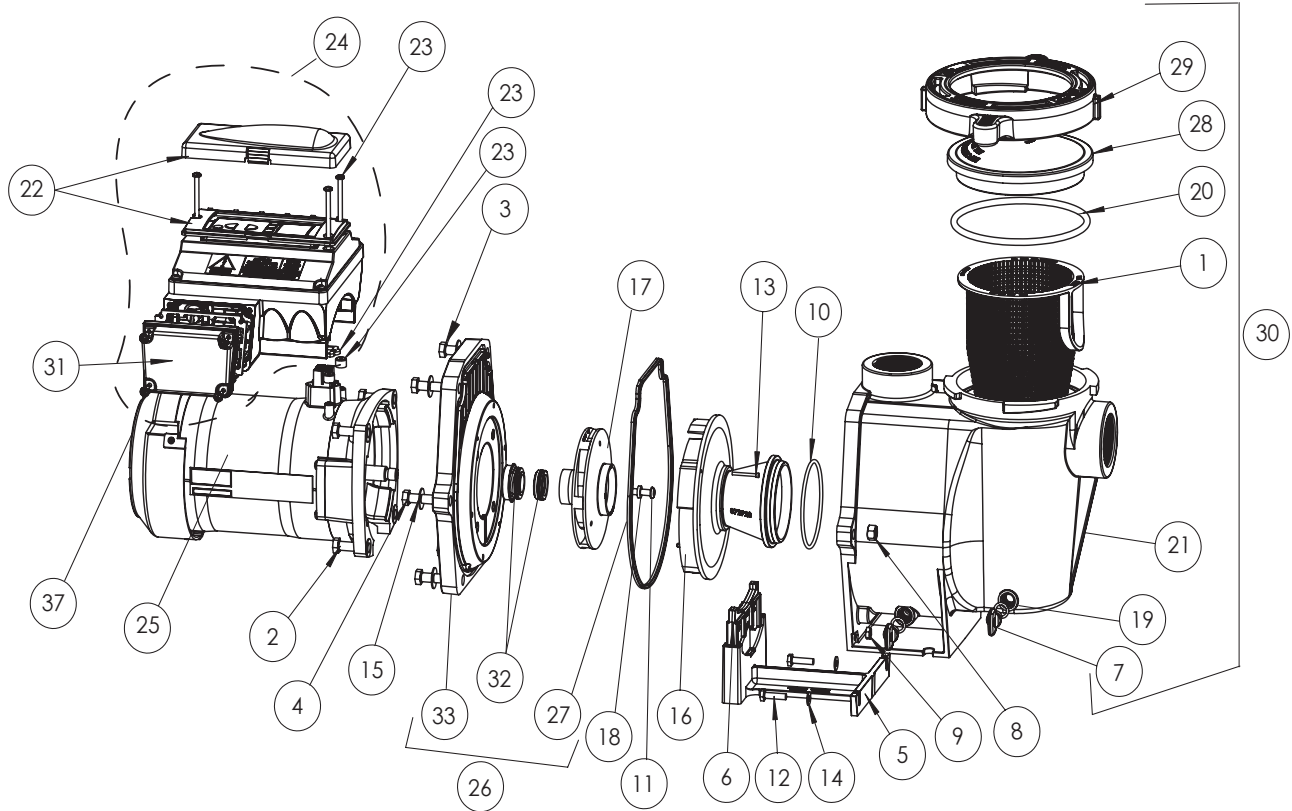


REPLACEMENT PARTS



IntelliFlo® Variable Speed Pump Replacement Parts (Almond Colored Pumps)

Item No.	Part No.	Description	Item No.	Part No.	Description
1	070387	BASKET AQ & WF	22	350601	DRIVE CONTROL COVER ASSY. KIT (Items 22 & 23) (ALMOND)
2	070429	BOLT HEX HD, 2-56x0.875 s/s, (QTY 4)	23	350612	HARDWARE/GASKET ASSY. KIT (Contains three screws, 3 spacer caps and drive gasket)
3	070430	BOLT 3/8 - 16 X 1 1/4 HEX CAP 18-8 s/s, (QTY 4)	24	353251	INTELLIFLO VARIABLE SPEED MOTOR DRIVE 3.2KW (Items 22, 23, 33) (ALMOND)
4	070431	BOLT 3/8 -16 X 2 HEX CAP 18-8 s/s, (QTY 2)	25	350105S	VFD MOTOR 3.2 KW PMSM (ALMOND)
5	070927	FOOT WF - PUMP MOTOR SUPPORT	26	350201	SEAL PLATE KIT, WFE ALMOND (item 29, 34, 35)
6	070929	FOOT INSERT WF PUMP	27	357100	GASKET SEAL PLATE TO HOUSING
7	071131	PLUG DRAIN WFE (ALMOND) (QTY 2)	28	357151	LID SEE THRU WF
8	071403	NUT 3/8 - 16 BRASS NICKEL PLATED, (QTY 2)	28	357156	LID CHEMICAL RESISTANT (BAQUACIL® RESISTANT)
9	071406	NUT 1/4 - 20 HEX s/s (QTY 2)	29	357199	CLAMP CAM & RAMP WF (ALMOND)
10	071444	O-RING 238, 3.484x0.139, Buna-N 70	30	357243	POT WF ASSY ALMOND (Items 1,7 (Qty. 2), 19 (Qty. 2), 20, 21, 30, 31)
11	071652	SCREW 1/4-20 X 1 LH PHILLIPS PAN MS 18-8 s/s	31	350621	JUNCTION BOX COVER (w/ SCREWS & GASKET) - ALMOND
12	071657	SCREW 1/4 - 20 X 1 in. HEX CAP 18-8 s/s, (QTY 3)	32	071734S	SEAL KIT
13	071660	SCREW SET 4-40 X 1-1/8 WFE SCKT CAP 18-8 s/s (QTY 2)	33	074564	SEAL PLATE (ALMOND)
14	072183	WASHER FLAT 1/4 X 5/8 20 GA THICK 18-8 s/s (QTY 2)			
15	072184	WASHER 3/8 ID X 7/8 OD .05 THICK 18-8 s/s, (QTY 6)			
16	072928	DIFFUSER ASSEMBLY WFE 12			
17	073131	IMPELLER WFE 12 1000 SER			
18	075713	RUBBER WASHER WFE PUMP			
19	192115	O-RING 112, 0.487x0.103 Buna-N 70 (QTY 2)			
20	350013	O-RING LID CH/WF 2-436			
21	350015	HOUSING WFE (ALMOND)			

Note: (*) Not serviceable parts.

357603 Union Kit: Includes two complete unions for one pump (not included with the pump)

350601 Drive Control Cover Assy. Kit: Almond (contains drive Variable Speed, drive lid screws orange spacer caps) - (Items 22, 23)

350612 Hardware/gasket Assy. Kit: Contains 3 screws, 3 spacer caps and drive gasket

350122 - 50 ft. Communication Cable

357149 Almond Housing/Seal Plate Replacement Kit: Items 1, 7 (Qty 2), 19 (Qty 2), 20, 29, 30, 31, 34, 35)