

IMPORTANT SAFETY RULES

**Read, Understand, and Follow all
Instructions Carefully before
Installing and using this Product.**

Floating Surface Skimmer



For illustrative purposes only. Pool may not be provided.

Don't forget to try these other fine Intex products: Pools, Pool Accessories, Inflatable Pools and In-Home Toys, Airbeds and Boats available at fine retailers or visit our website.



IMPORTANT! DO NOT RETURN PRODUCT TO STORE

**To purchase parts and accessories or to obtain non-technical assistance,
Visit www.intexcorp.com**

For technical assistance and missing parts call us toll-free (for U.S. and Canadian Residents):

1-800-234-6839

Monday through Friday, 8:30am to 5:00pm Pacific Time

080PO-R0-1006

OWNER'S MANUAL

Warnings.....	3
Parts List & Reference.....	4-5
Hook Assembly for Easy-Set® Pools with Inflatable Top Rings.....	6
Hook Assembly for Metal Frame Pools.....	7
Set-Up Instructions.....	8-10
Long Term Storage.....	11
General Aquatic Safety.....	11
Intex Service Center Locations.....	12

IMPORTANT SAFETY RULES

Read, Understand and Follow All Instructions Carefully Before Installing and Using this Product.

WARNING

- DO NOT PERMIT CHILDREN TO USE THIS PRODUCT. ADULT USE ONLY.
- DO NOT OPERATE THE FILTER PUMP WHILE THE POOL IS OCCUPIED OR IN USE.
- STRONG SUCTION. DO NOT REMOVE OR OBSTRUCT THE FLOATING COVER OPENING WHILE THE FILTER PUMP IS OPERATING!
- KEEP HANDS AND HAIR AWAY FROM THE SKIMMER AND FLOATING COVER OPENING WHEN THE FILTER PUMP IS OPERATING!
- TURN OFF OR UNPLUG THE FILTER PUMP BEFORE ADJUSTING, CLEANING, SERVICING OR REMOVING THE SKIMMER, BASKET OR FLOATING COVER.
- REMOVE ALL MAINTENANCE ITEMS WHEN THE POOL IS IN USE.

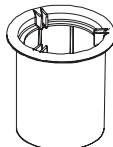





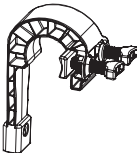


FAILURE TO FOLLOW THESE WARNINGS MAY RESULT IN PROPERTY DAMAGE, ELECTRIC SHOCK, SERIOUS INJURY, DROWNING OR DEATH.

These product warnings, instructions and safety rules provided with the product represent some common risks of water recreation devices and do not cover all instances of risk and danger. Please use common sense and good judgement when enjoying any water activity.

Filter Pump Flow Rate Requirement:
600 - 5000 gallons/hour (2270 - 18925 liters/hour)

SAFETY RULES

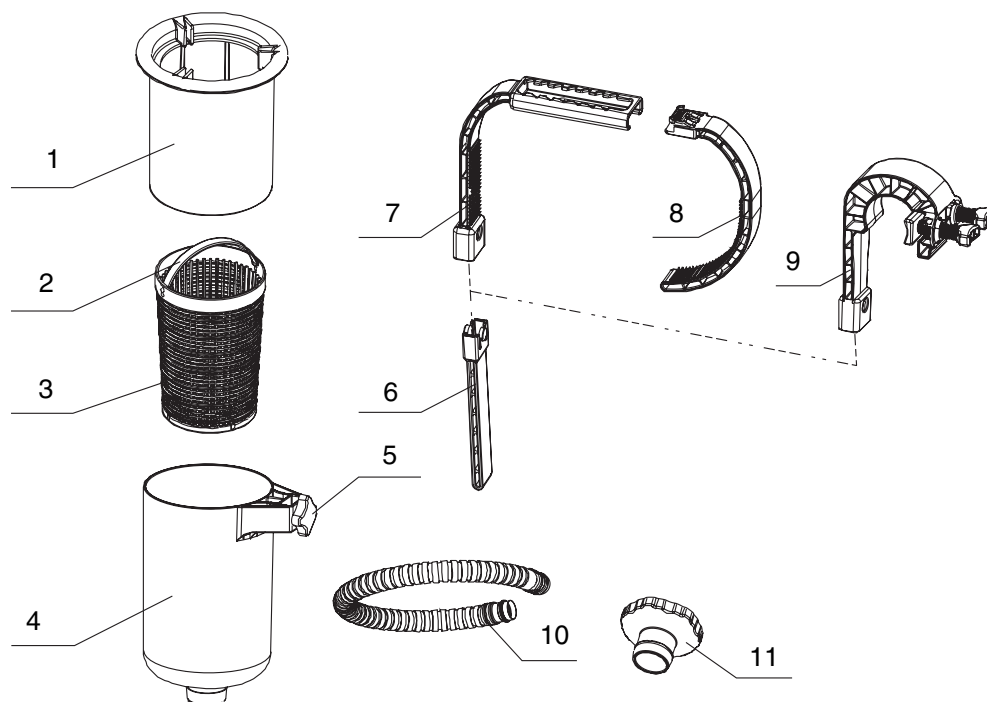
PARTS LIST

1 	2 	3 
4 	5 	6 
7  * Optional	8  * Optional	9  * Optional
10 	11 	

NOTE: Drawings for illustration purpose only. May not reflect actual product. Not to scale.

PARTS REFERENCE

Before assembling your product, please take a few minutes to check the contents and become familiar with all the parts.



NOTE: Drawings for illustration purpose only. May not reflect actual product. Not to scale.

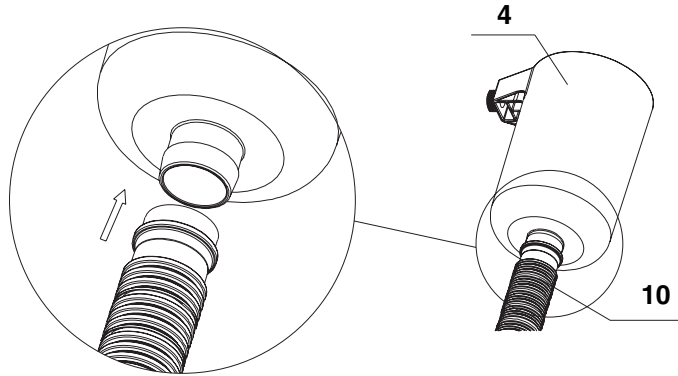
REF. NO.			DESCRIPTION	QTY.	SPARE PART NO.
EASY-SET® POOL	FRAME POOL	COMMON			
		1	FLOATING COVER	1	10523
		2	BASKET HANDLE	1	10534
		3	BASKET	1	10524
		4	SKIMMER	1	10525
		5	SCREW	1	10526
		6	DEPTH ADJUSTER	1	10522
7			HOOK (OPTIONAL)	1	10521
8			ARM (OPTIONAL)	1	10520
	9		FRAME HOOK (OPTIONAL)	1	11154
		10	SKIMMER HOSE	1	10531
		11	HOSE ADAPTOR B	1	11238

HOOK ASSEMBLY FOR EASY SET® POOLS WITH INFLATABLE TOP RINGS

1

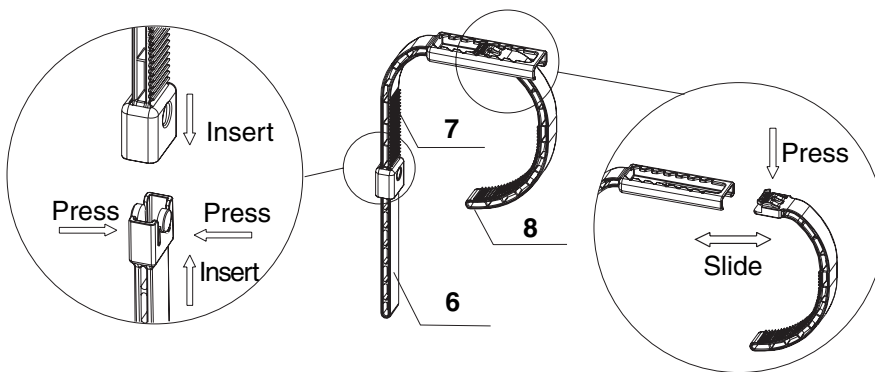
NOTE: If you are using METAL FRAME POOL, go to Step #5.

Connect the Skimmer Hose (10) to the Skimmer (4) bottom connector.



2

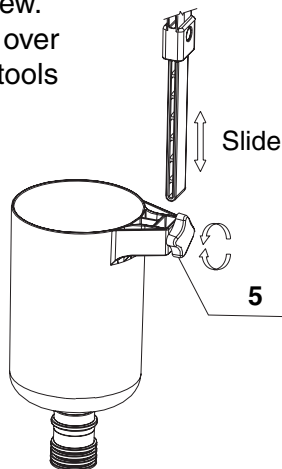
Assemble the hook as shown. Adjust the opening of the Hook (7) by pressing and sliding the Arm (8) at the same time.



3

Loosen the Skimmer Screw (5), attach the assembled hook and hand tighten the Screw.

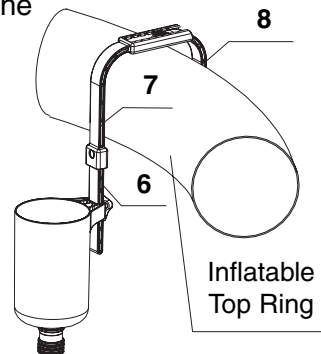
NOTE: Do not over tighten or use tools such as pliers.



4

Place the whole assembled hook unit over the top of an

EASY-SET® Pool Top Ring near the water inlet connector (lower hose connection). Adjust the hook (8) to be snug around the inflated ring (see step #2). Ensure the hook is securely tightened over the pool.



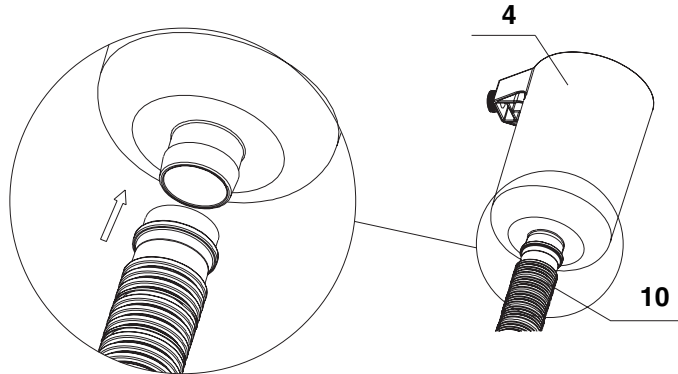
SKIP TO STEP 9

HOOK ASSEMBLY

HOOK ASSEMBLY FOR METAL FRAME POOLS

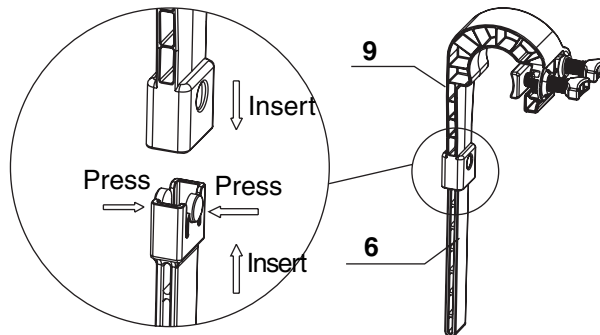
5

Connect the Skimmer Hose (10) to the Skimmer (4) bottom connector.



6

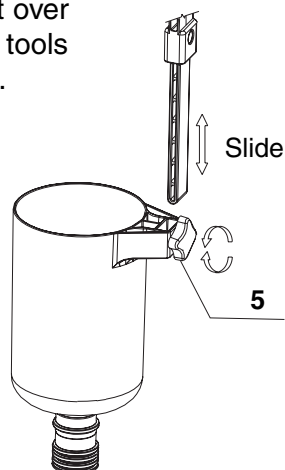
Assemble the hook as shown.



7

Loosen the Skimmer Screw (5), attach the assembled hook and hand tighten the Screw.

NOTE: Do not over tighten or use tools such as pliers.

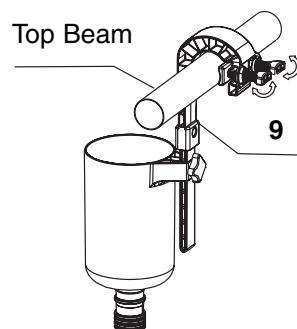


8

Place the whole assembled hook unit over the top of a

FRAME Pool Top Beam near the water inlet connector (lower hose connection). Adjust the hook by adjusting the two dove-tail screws, to be tight on the top beam.

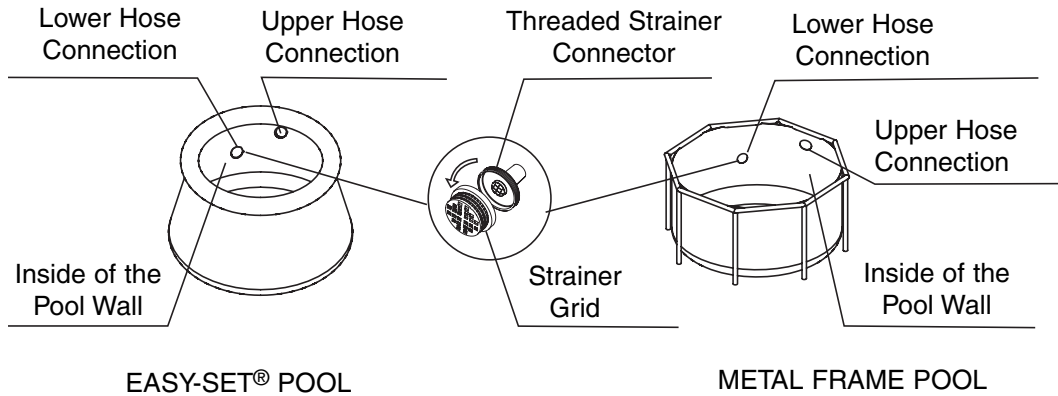
Ensure the hook is securely tightened over the pool top beam.



ASSEMBLY FOR EASY SET® AND METAL FRAME POOLS

9

For pool size 16' (488 cm) and below:
Unscrew the Strainer Grid from the Threaded Strainer Connector (lower) from inside of the Easy Set® or Metal Frame pool.

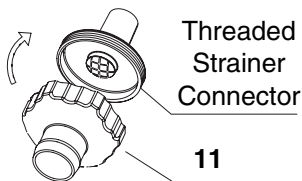


10

Depending on the size of pool purchased.

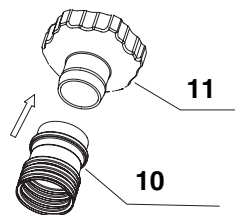
For 16' (488 cm) and below pools with Strainer

a



Screw the Hose Adaptor B (11) to the Threaded Strainer Connector, from inside of the pool.

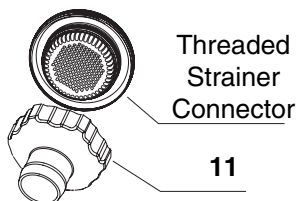
b



Connect the other end of the Skimmer Hose (10) to the Hose Adaptor B (11).

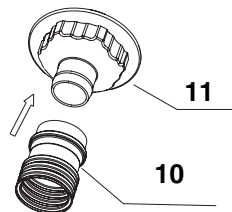
For 18' (549 cm) and above pools with Large Strainer

a



Screw the Hose Adaptor B (11) to the Threaded Strainer Connector, from inside of the pool.

b

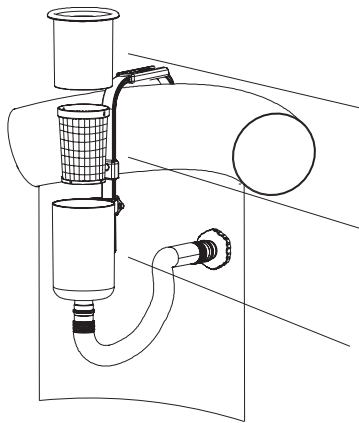


Connect the other end of the Skimmer Hose (10) to the Hose Adaptor B (11).

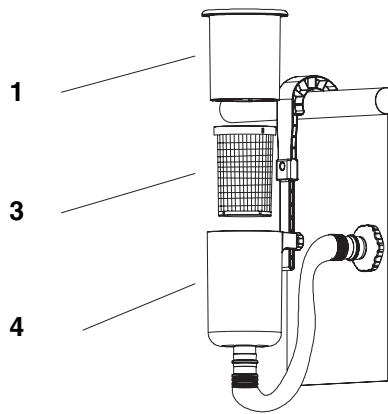
ASSEMBLY FOR EASY SET® AND METAL FRAME POOLS

11

Place the Basket (3) and the Floating Cover (1) into the Skimmer (4).



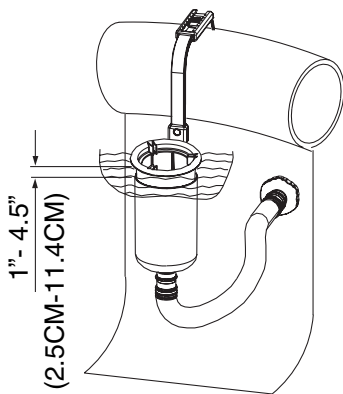
EASY-SET® POOL



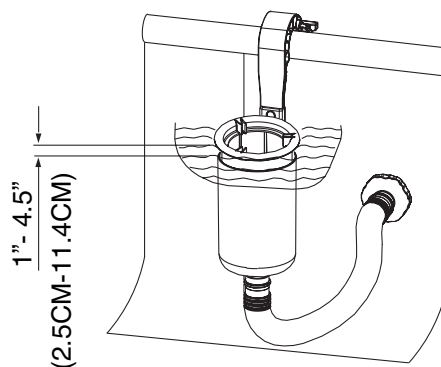
METAL FRAME POOL

12

Adjust the height of the skimmer if necessary. The Floating Cover (1) should be floating off the Skimmer (4) by 1" to 4.5" (2.5cm to 11.4cm). Also ensure the top of the Floating Cover is parallel with the water surface.



EASY-SET® POOL



METAL FRAME POOL

IMPORTANT: The surface skimmer must be perpendicular to the water surface at all times. Adjust the surface skimmer position if necessary.

SET-UP INSTRUCTIONS

ASSEMBLY FOR EASY SET® AND METAL FRAME POOLS

13

⚠ WARNING

- Do not operate the filter pump while the pool is occupied or in use.
 - Strong suction. Do not remove or obstruct the floating cover opening while the filter pump is operating!
 - Keep hands and hair away from the skimmer and floating cover opening when the filter pump is operating!
 - Turn off or unplug the filter pump before adjusting, cleaning, servicing or removing the skimmer, basket or floating cover.
- Set up the Filter Pump following the Filter Pump owner's manual. Turn on or connect the filter pump to an electrical outlet.

IMPORTANT

If no water is flowing into the pump, make sure that the surface skimmer is perpendicular to the water surface and below the water surface. Open the air release valve located on the filter housing top cover. When water starts to flow out, close the air release valve back.

Never run the pump dry as the motor may overheat and damage the pump!

- Remove the skimmer and the hook assembly from the pool before placing a pool cover over the pool.
- Store the product and accessories in a dry and safe place indoors.

SET-UP INSTRUCTIONS

LONG TERM STORAGE

1. Make sure the filter pump is turned off and disconnect the power cord from the electrical outlet.
2. Using the Set-Up instructions in reverse, disassemble the Floating Surface Skimmer.
3. Clean and air dry all the accessories and parts thoroughly.
4. The original packaging can be used for storage. Store in a dry, cool storage location.

GENERAL AQUATIC SAFETY

Water recreation is both fun and therapeutic. However, it involves inherent risks of injury and death. To reduce your risk of injury, read and follow all product, package and package insert warnings and instructions. Remember, however, that product warnings, instructions and safety guidelines cover some common risks of water recreation, but do not cover all instances or risk and or danger.

For additional safeguards, also familiarize yourself with the following general guidelines as well as guidelines provided by nationally recognized Safety Organizations:

- Demand constant supervision.
- Learn to swim.
- Take the time to learn CPR and first aid.
- Instruct anyone who is watching your children about potential pool hazards and about the use of protective devices such as locked doors, barriers, etc.
- Teach children what to do in case of an emergency.
- Always use common sense and good judgement when enjoying any water activity.
- Supervise, Supervise, Supervise.

For additional information on safety, please visit

- **The Association of Pool and Spa Professionals: The Sensible Way to Enjoy Your Aboveground/Onground Swimming Pool** www.nspi.org
- **American Academy of Pediatrics: Pool Safety for Children** www.aap.org
- **Red Cross** www.redcross.org
- **Safe Kids** www.safekids.org
- **Home Safety Council: Safety Guide** www.homesafetycouncil.org
- **Toy Industry Association: Toy Safety** www.toy-tia.org

SAFETY IN YOUR POOL

Safe swimming depends on constant attention to the rules. The "NO DIVING" sign within your pool manual can be posted near your pool to help keep everyone alert to the danger. You may also wish to copy and laminate the sign for protection from the elements.

COUNTRIES/REGIONS**SERVICE CENTER LOCATIONS**

- UNITED STATES
- CANADA

INTEX RECREATION CORP.

14779 Bar Harbor Road
Fontana, CA 92336
Tel: 1-800-234-6839
Fax: 310-549-2900
Website: www.intexcorp.com (U.S./Canada only)
Consumer Service Hours: 8:30 am to 5:00 pm
Pacific Time, Mon. thru FRI. only.

- MEXICO

KAY INTERNACIONAL, S.A. DE C.V.

Avenida San Jeronimo #550-5° Piso, Col.
Jardines del Pedregal, C.P. 01900
Mexico D.F.
Tel: 01-800-347-4020 (Collect Call)
Tel: 55-9172-8035
Fax: 55-9172-8047
E-mail: servicenter@kayinternacional.com
Website: www.intexmexico.com.mx

- PANAMA
- PARAGUAY
- ECUADOR
- HONDURAS
- EL SALVADOR
- NICARAGUA

**SUPRO MUNDIAL S.A./
PRODUCTOS SUPERIORES S.A.**

Boulevard Andrews, Albrook,
Panama, Rep. de Panama
Tel: 507-300-3800
Fax: 507-300-3813
E-mail: suproadmin@supropanama.com

- COSTA RICA
- DOMINICAN REPUBLIC
- GUATEMALA
- COLOMBIA
- VENEZUELA

CENTURY USA, LLC

4731 W. Atlantic Ave., Suite B-3
Delray Beach, FL 33445, USA
Tel: 561-495-0648
Fax: 561-495-4782
E-mail: sales@centuryusa.com

- MIDDLE EAST REGION

FIRST GROUP INTERNATIONAL

Al Moosa Group Building, 1st Floor,
Office 102 & 103, UMM Hurair Road,
Karama, Dubai, UAE
Tel: 00971-4-3373322
Fax: 00971-4-3375115
E-mail: info@firstgroupinternational.com
Website: www.firstgroupinternational.com

- ASIA

INTEX DEVELOPMENT CO. LTD.

8th Floor,
Dah Sing Financial Centre
108 Gloucester Road,
Wanchai, Hong Kong
Tel: 852-28270000
Fax: 852-23118200
E-mail: xmservicesupport@intexcorp.com.cn
Website: www.intexdevelopment.com

For answers to most frequently asked questions, please visit www.intexcorp.com.
Non U.S. Residents, please visit www.intexdevelopment.com.

English

®

INTEX

For Residents of the U.S. & Canada:

INTEX RECREATION CORP.

Attn: Consumer Service

14779 Bar Harbor Road

Fontana, CA 92336

Phone: 1-800-234-6839

Fax: (310) 549-2900

Consumer Service Hours:

8:30 am to 5:00 pm Pacific time

Monday thru Friday only

Website: www.intexcorp.com

For Residents outside of the U.S. and Canada:

Please refer to the Service Center Locations

©2009 Intex Marketing Ltd. - Intex Development Co. Ltd. -
Intex Trading Ltd. - Intex Recreation Corp.

All rights reserved/Tous droits réservés/Todos los

derechos reservados/Alle Rechte vorbehalten.

Printed in China/Imprimé en Chine/Impreso en

China/Gedruckt in China.

®™ Trademarks used in some countries of the world under
license from/®™ Marques utilisées dans certains pays sous
licence de/Marcas registradas utilizadas en algunos países
del mundo bajo licencia de/Warenzeichen verwendet in
einigen Ländern der Welt in Lizenz von/Intex Marketing Ltd.
to/à/a/an Intex Trading Ltd., Intex Development Co. Ltd.,
G.P.O Box 28829, Hong Kong & Intex Recreation Corp.,
P.O. Box 1440, Long Beach, CA 90801 • Distributed in the
European Union by/Distribué dans l'Union Européenne
par/Distribuido en la unión Europea por/Vertrieb in der
Europäischen Union durch/Intex Trading B.V., P.O. Box nr.
1075 - 4700 BB Roosendaal - The Netherlands

 **INTEX®**