



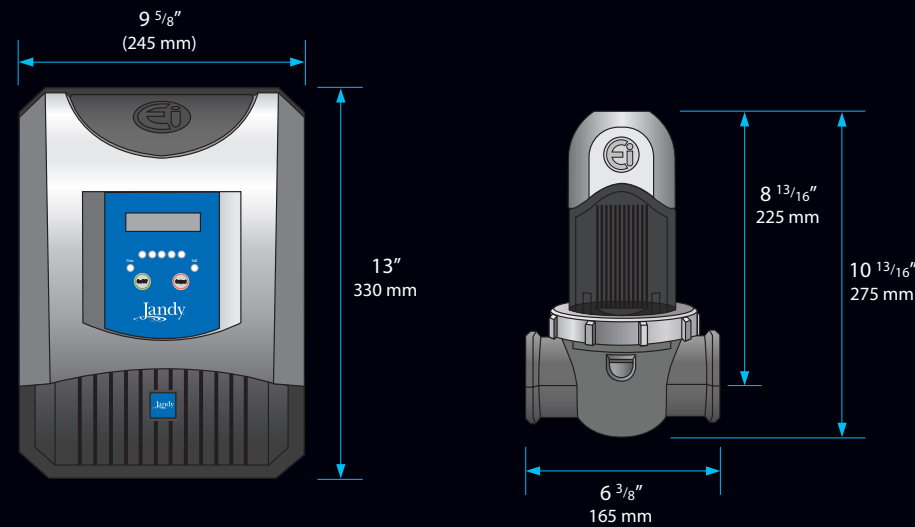
AquaPure® Ei™ Salt Water Sanitizer

Experience a revolution in salt water sanitizing.

Introducing the world's first DIY Salt Water Sanitizing System: the Jandy® AquaPure® Ei™, a compact, self-contained sanitizing system. Using ordinary salt that is added to the pool water, the cell generates pure, natural sanitizer year-round. When the sanitizer has finished purifying the pool, it reverts back into salt and the whole cycle repeats, making the AquaPure Ei a model of recycling efficiency.

Featuring 120V plug-in convenience, the AquaPure Ei is very simple to install, taking just three easy steps and requiring zero pipe cutting. Simply drill the designated holes in the pipe with the template and drill bit provided, clamp the self-sealing cell kit around the pipe, and plug it in. That's it. Salt water sanitizing has never been this easy or affordable.

The Jandy AquaPure Ei's advanced electronics and auto-reversing polarity mean very little maintenance is required. These sophisticated features and ease-of-use make the AquaPure Ei the best choice for an economical and efficient pool sanitizer.



Specifications - Model APURE35 and APURE35PLG



Pool Size	Up to 35,000 Gallons
Input Voltage	120-240 VAC, Auto-detect
Input Current	120 VAC, 1.3A 240 VAC, 1A
Output Voltage	25 VDC max
Output Current	5A DC max
Ideal Salinity Level	4000 ppm
Operating Pressure	50 psi max
Flow Range	40-92 gpm



Ei™ AQUAPURE® Series



www.jandy.com

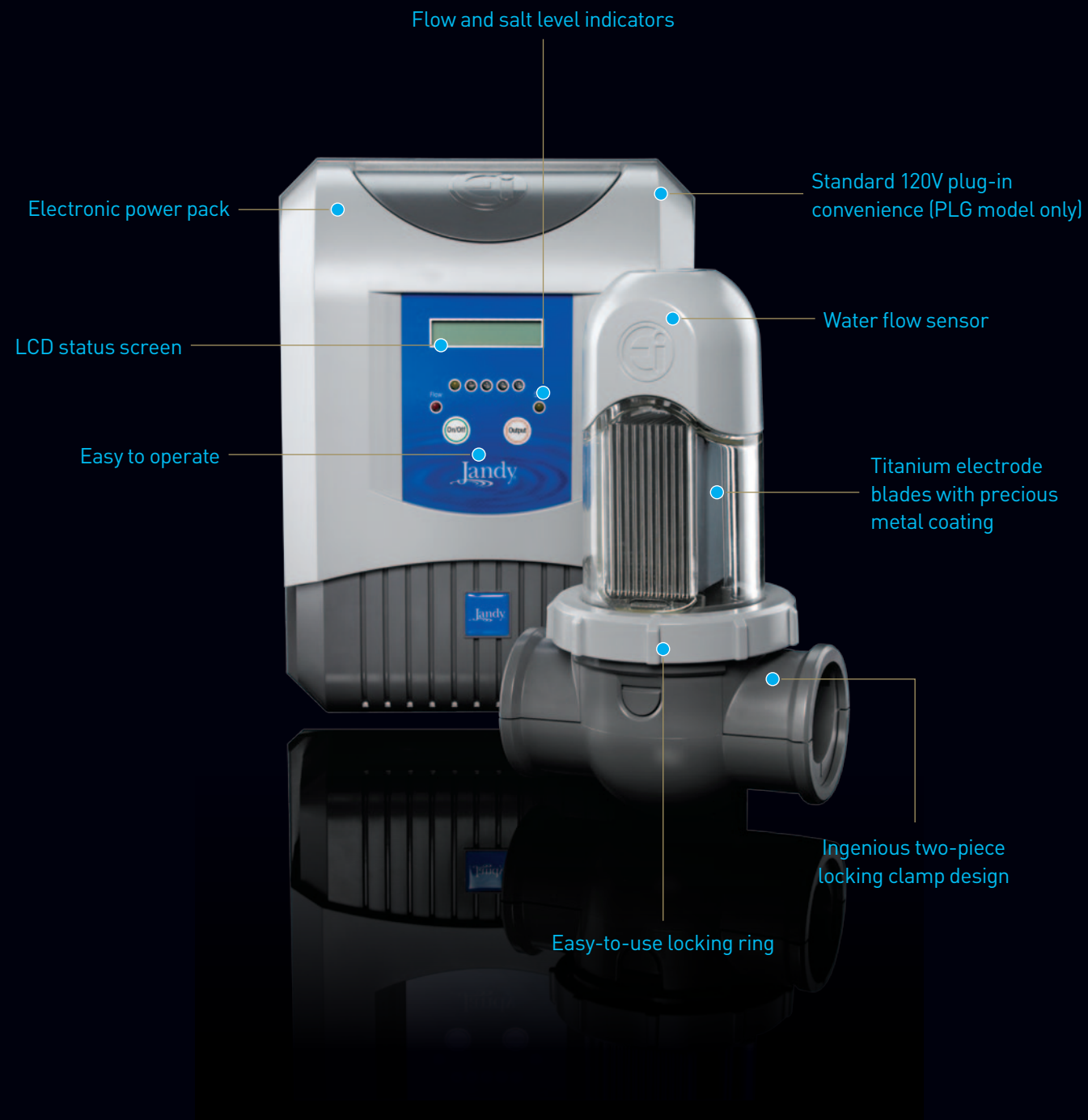
© 2010 Zodiac Pool Systems, Inc. All rights reserved. SL5803A 0310

EiTM AQUAPURE[®] Series

Convert your ordinary chlorine pool into a salt water oasis.

Effortless Installation. Continual Gratification.

The Jandy[®] AquaPure[®] EiTM delivers the ultimate swimming experience without the hassle. With simple do-it-yourself installation, in about 15 minutes you can have soft, silky water, free of the annoying and harmful effects of conventional chlorine. And since it sanitizes automatically, you'll spend less time worrying about your pool and more time enjoying it. So convert your ordinary chlorine pool into a salt water oasis today. Your family will thank you for it.



EASY INSTALLATION



SIMPLE OPERATION



LOW MAINTENANCE

