

## **IMPORTANT SAFETY RULES**

**Read, understand, and follow all  
instructions carefully before installing  
and using this product.**

# LED Pool-Wall Light

## Model WL3110

### 110 – 120 Volt ~, 60 Hz



For illustrative purposes only.

**Don't forget to try these other fine Intex products: pools, pool accessories, inflatable pools and in-home toys, airbeds and boats available at fine retailers or visit our website.**

**INTEX®**

## **IMPORTANT!**

### **DO NOT RETURN PRODUCT TO STORE**

**To purchase parts and accessories or to obtain non-technical assistance,  
Visit [www.intexcorp.com](http://www.intexcorp.com)**

**For technical assistance and missing parts call us toll-free (for U.S. and Canadian Residents):**

**1-800-234-6839**

**Monday through Friday, 8:30am to 5:00pm Pacific Time**

155PO-R1-1011

# OWNER'S MANUAL

TABLE OF CONTENTS

**Warnings..... 3-4**

**Parts List & References..... 4**

**Setup Instructions..... 5-6**

**Installation on Intex  
Sequoia Spirit Wood-Grain Pools..... 6**

**Long Term Storage..... 6**

**Troubleshooting Guide..... 7**

**General Aquatic Safety..... 8**

**Limited Warranty..... 9**

**Intex Service Center Locations..... 10**

This manual contains important safety and operating instructions for power units.

## IMPORTANT SAFETY RULES

Read, Understand and Follow All Instructions Carefully Before Installing and Using this Product.

### READ AND FOLLOW ALL INSTRUCTIONS

#### **⚠ WARNING**

- To reduce the risk of electric shock, do not open this product.
- To reduce the risk of injury, do not permit children to use this product. Always supervise children and those with disabilities.
- Children must stay away from this product and electrical cord(s).
- Assembly and disassembly by adults only.
- Risk of electric shock. Connect this product only to a grounding type receptacle protected by a ground-fault circuit interrupter (GFCI). Contact a qualified electrician if you cannot verify that the receptacle is protected by a GFCI.
- Always unplug this product from the electrical outlet before removing, cleaning, servicing or making any adjustment to the product.
- Do not bury the electrical cord. Locate the cord where it will not be damaged by lawn mowers, hedge trimmers and other equipment.
- To reduce the risk of electric shock, replace damaged cord immediately. Use a qualified electrician to replace the cord.
- To reduce the risk of electric shock, do not use extension cords, timers, plug adaptors or converter plugs to connect unit to electric supply; provide a properly located outlet.
- Do not attempt to plug in or unplug this product while standing in water or when your hands are wet.
- Do not use an appliance leakage current interrupter (ALCI) in place of a GFCI since the ALCI will not protect people.
- Do not immerse the transformer and the external transmitter unit into water.
- Do not throw or drop the product.
- Do not stare directly at the light emitted by this product.
- Do not operate the product if housing is cracked or showing water leakage; remove from pool or water immediately.
- Do not insert fingers or objects into the openings and holes.
- Strong magnets. Keep this device away from mobile phone and other electronic gadgets.
- Keep the transformer more than 11.5 feet (3.5m) away from the pool.
- Keep the plug of this product more than 11.5 feet (3.5m) away from the pool.
- For a cord-connected or direct plug-in unit, do not use in a bathroom.
- Risk of Electric Shock. When used outdoors, install only to a covered Class A GFCI protected receptacle that is weatherproof with the power unit connected to the receptacle. If one is not provide, contact a qualified electrician for proper installation. Ensure that the power unit and cord do not interfere with completely closing the receptacle cover.
- Risk of Fire. Installation involves special wiring methods to run wiring through a building structure. Consult a qualified electrician.
- This product is intended to be used only for the purposes described in the manual!

**FAILURE TO FOLLOW THESE WARNINGS MAY RESULT IN PROPERTY DAMAGE, ELECTRIC SHOCK, EXPLOSION, ENTANGLEMENT OR OTHER SERIOUS INJURY OR DEATH.**

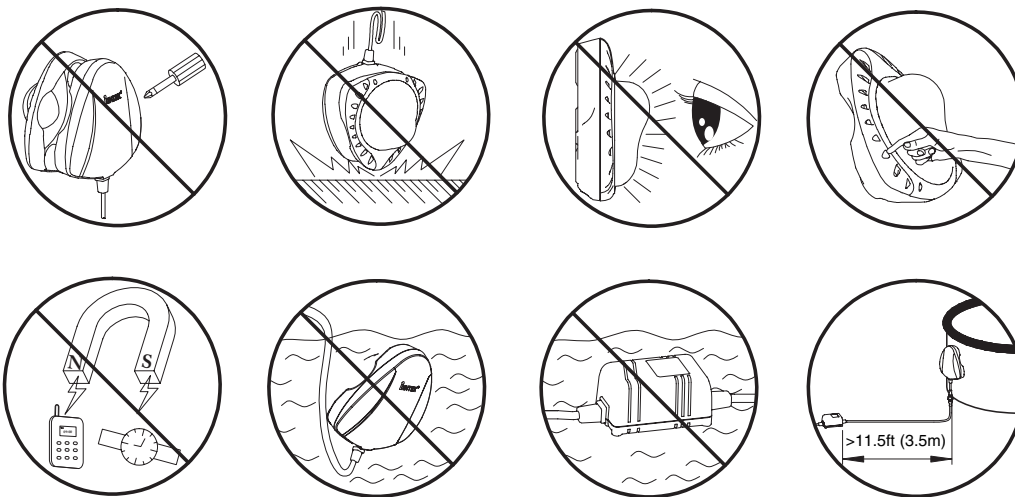
#### **⚠ CAUTION**

**This product is for use with storable pools only. Do not use with permanently-installed pools. A storable pool is constructed so that it is capable of being readily disassembled for storage and reassembled to its original integrity. A permanently-installed pool is constructed in or on the ground or in a building such that it cannot be readily disassembled for storage.**

These product warnings, instructions and safety rules provided with the product represent some common risks of water recreation devices and do not cover all instances of risk and danger. Please use common sense and good judgement when enjoying any water activity.

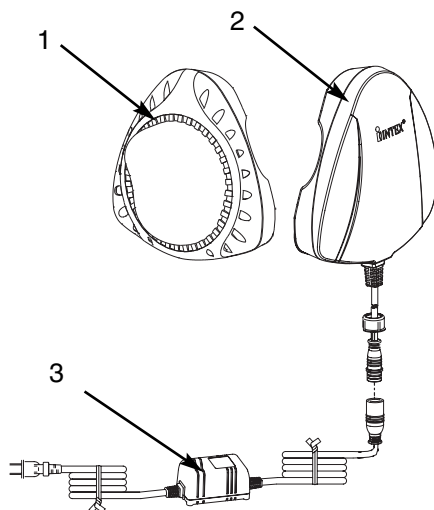
SAFETY RULES

### IMPORTANT SAFETY RULES (continued)



### PARTS REFERENCES

Before assembling your product, please take a few minutes to check the contents and become familiar with all the parts.



**NOTE:** Drawings for illustration purpose only. Actual product may vary. Not to scale.

REF. NO.	DESCRIPTION	QTY.	SPARE PART NO.
1	POOL LIGHT	1	11263
2	TRANSMITTER	1	11264
3	TRANSFORMER	1	11266

SAFETY RULES & PARTS REFERENCE

## SETUP INSTRUCTIONS

This product is specially designed for above ground pool. The LED pool-wall light uses magnetic technology to create a light system that safely generates low voltage current through the pool's sidewall to a powerful LED light inside the pool.

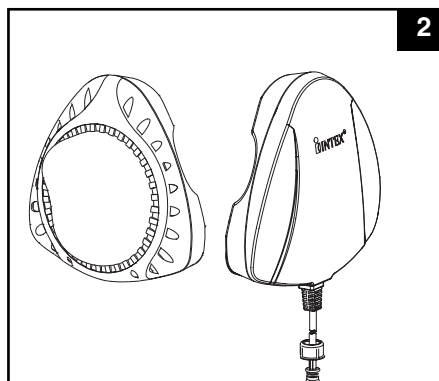
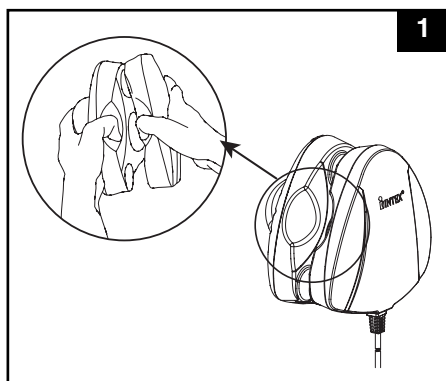
### ⚠ WARNING

- Always unplug this product from the electrical outlet before removing, cleaning, servicing or making any adjustment to the product.
- Do not operate the product if housing is cracked or showing water leakage; remove from pool or water immediately.

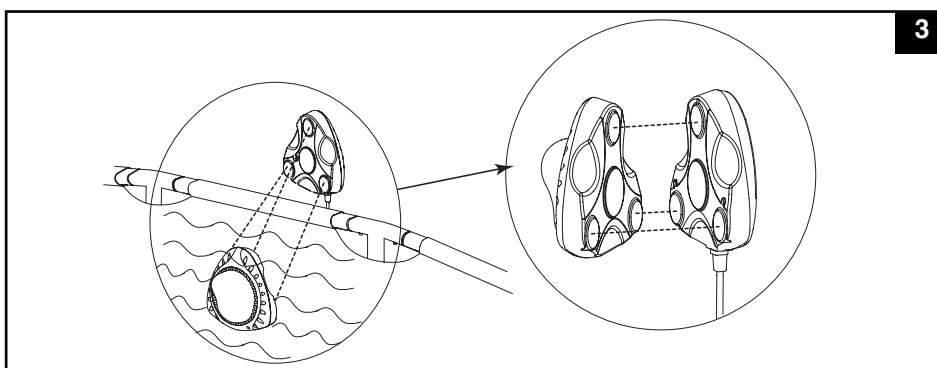
### IMPORTANT

- This product is for use with above ground pool wall with a thickness of 1mm (0.04 in) or less.
- Do not use this product as a free stand alone light.

1. Separate the pool light (1) from the transmitter (2) by hand through the side opening groove. **See drawing (1 & 2).**  
**CAUTION:** To avoid finger pinch or injury, always separate the pool light from the transmitter through the side opening groove.



2. Place the transmitter (2) on the outside of the pool wall and the pool light (1) on the inside of the pool wall submerged in water. Ensure the transmitter magnetic poles are properly aligned with the magnetic poles on the pool light unit. **See drawing (3).**

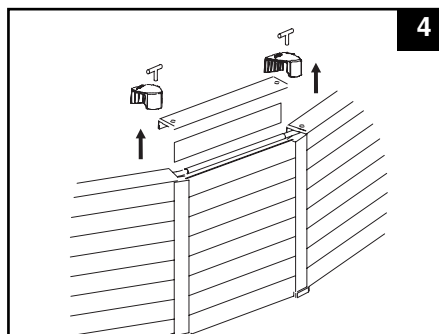


## SETUP INSTRUCTIONS (continued)

3. Adjust the position of the pool light by manually sliding the transmitter position sideways and/or vertically.
4. Plug the assembled unit to an electrical outlet protected by a ground-fault circuit interrupter (GFCI).

### Installation on Intex Sequoia Spirit Wood-Grain Pools:

Unscrew the bolts from the section where the LED pool-wall light will be installed, and remove the clamp covers, the top board and the side boards. Refer to the Wood-Grain Pool owner's manual for details. For better installation, it is recommended to remove at least 3 side board panels. Follow above setup instructions 1 to 4.



## LONG TERM STORAGE

In areas where freezing temperatures occur, there is risk of ice damage to the product. It is recommended to remove, clean and store the product in a safe place when temperature drops below 0 degrees Celsius (32 degrees Fahrenheit).

1. Unplug the power cord from the electrical socket.
2. Remove the transmitter (2) from the outside of the pool wall first, the pool light (1) unit will automatically float to the surface for easy retrieval, then remove the pool light from the water.

**IMPORTANT: To prevent damage to the transmitter, always remove the transmitter first before removing the pool light unit.**

3. If deposits or debris are seen inside the holes of the pool light, use a garden hose to flush them off. Do not scrape the pool-wall light or use brush to clean it.
4. Thoroughly air-dry all components before storage.
5. Store the product and accessories in a dry, temperature controlled location between 32 degrees Fahrenheit (0 degrees Celsius) and 104 degrees Fahrenheit (40 degrees Celsius).
6. The original packaging can be used for storage.

## TROUBLE SHOOTING GUIDE

PROBLEM	CAUSE	SOLUTION
DIFFICULT TO ALIGN THE POOL LIGHT AND THE TRANSMITTER	<ul style="list-style-type: none"> <li>Wrong orientation, magnetic poles are not aligned correctly.</li> </ul>	<ul style="list-style-type: none"> <li>Rearrange the orientation of the pool light and the transmitter. See "setup instructions".</li> </ul>
THE LED POOL-WALL LIGHT DOES NOT LIGHT UP	<ul style="list-style-type: none"> <li>The power cord is loose.</li> </ul>	<ul style="list-style-type: none"> <li>Plug the cord firmly into the electrical outlet.</li> <li>Tighten the intermediate connection between the transmitter and the transformer.</li> </ul>
	<ul style="list-style-type: none"> <li>Wrong orientation and alignment between the pool light and the transmitter.</li> </ul>	<ul style="list-style-type: none"> <li>Rearrange the orientation of the pool light and the transmitter. See "setup instructions".</li> </ul>
	<ul style="list-style-type: none"> <li>Water inside pool light unit.</li> <li>Possible transmitter or transformer failure.</li> </ul>	<ul style="list-style-type: none"> <li>Contact Intex Service Center.</li> </ul>
THE POOL LIGHT UNIT DOES NOT FLOAT	<ul style="list-style-type: none"> <li>Water inside the pool light unit.</li> </ul>	<ul style="list-style-type: none"> <li>Contact Intex Service Center.</li> </ul>

## IMPORTANT

**If you continue to experience difficulty, please contact our Consumer Service Department for assistance. See back cover for contact information.**

Operation is subject to the following two conditions: (1) this device may not cause interference, and (2) this device must accept any interference, including interference that may cause undesired operation of the device.

Changes or modifications not expressly approved by the party responsible for compliance could void the user's authority to operate the equipment.

This equipment has been tested and found to comply with the limits for Class B digital device, pursuant to part 15 of the FCC Rules. These limits are designed to provide reasonable protection against harmful interference in a residential installation. This equipment generates, uses and can radiate radio frequency energy and, if not installed and used in accordance with the instructions, may cause harmful interference to radio or television reception, which can be determined by turning the equipment off and on, the user is encouraged to try to correct the interference by one or more of the following measures:

- Reorient or relocate the receiving antenna.
- Increase the separation between the equipment and the receiver.
- Connect the equipment into an outlet on a circuit different from that to which the receiver is connected.
- Consult the dealer or an experienced radio/TV technician for help.

TROUBLESHOOTING GUIDE

## GENERAL AQUATIC SAFETY

**Water recreation is both fun and therapeutic. However, it involves inherent risks of injury and death. To reduce your risk of injury, read and follow all product, package and package insert warnings and instructions. Remember, however, that product warnings, instructions and safety guidelines cover some common risks of water recreation, but do not cover all instances or risk and or danger.**

**For additional safeguards, also familiarize yourself with the following general guidelines as well as guidelines provided by nationally recognized Safety Organizations:**

- Demand constant supervision.
- Learn to swim.
- Take the time to learn CPR and first aid.
- Instruct anyone who is watching your children about potential pool hazards and about the use of protective devices such as locked doors, barriers, etc.
- Teach children what to do in case of an emergency.
- Always use common sense and good judgement when enjoying any water activity.
- Supervise, supervise, supervise.

**For additional information on safety, please visit**

- **The Association of Pool and Spa Professionals: The Sensible Way to Enjoy Your Aboveground/Onground Swimming Pool** [www.nspi.org](http://www.nspi.org)
- **American Academy of Pediatrics: Pool Safety for Children** [www.aap.org](http://www.aap.org)
- **Red Cross** [www.redcross.org](http://www.redcross.org)
- **Safe Kids** [www.safekids.org](http://www.safekids.org)
- **Home Safety Council: Safety Guide** [www.homesafetycouncil.org](http://www.homesafetycouncil.org)
- **Toy Industry Association: Toy Safety** [www.toy-tia.org](http://www.toy-tia.org)

### SAFETY IN YOUR POOL

**Safe swimming depends on constant attention to the rules. The "NO DIVING" sign within this manual can be posted near your pool to help keep everyone alert to the danger. You may also wish to copy and laminate the sign for protection from the elements.**



## LIMITED WARRANTY

Your LED Pool-Wall Light has been manufactured using the highest quality materials and workmanship. All Intex products have been inspected and found free of defects prior to leaving the factory. This Limited Warranty applies only to the LED Pool-Wall Light.

The provisions of this Limited Warranty apply only to the original purchaser and is not transferable. This Limited Warranty is valid for a period of two (2) years from the date of the initial retail purchase. Keep your original sales receipt with this manual, as proof of purchase will be required and must accompany warranty claims or the Limited Warranty is invalid.

If a manufacturing defect is found within this two (2) years period, please contact the appropriate Intex Service Center listed in this manual. The Service Center will determine the validity of the claim. If the Service Center directs you to return the product, please carefully package the product and send with shipping and insurance prepaid to the Service Center. Upon receipt of the returned product, the Intex Service Center will inspect the item and determine the validity of the claim. If the provisions of this warranty cover the item, the item will be repaired or replaced at no charge.

Any and all disputes regarding the provisions of this Limited Warranty shall be brought before an informal dispute settlement board and unless and until the provisions of these paragraphs are carried forth, no civil action may be instituted. The methods and procedures of this settlement board shall be subject to the rules and regulations set forth by the Federal Trade Commission (F.T.C.). IMPLIED WARRANTIES ARE LIMITED TO THE TERMS OF THIS WARRANTY AND IN NO EVENT SHALL INTEX, THEIR AUTHORIZED AGENTS OR EMPLOYEES BE LIABLE TO THE BUYER OR ANY OTHER PARTY FOR DIRECT OR CONSEQUENTIAL DAMAGES OR LIABILITIES. Some states, or jurisdictions do not allow the exclusion or limitation of incidental or consequential damages, so the above limitation or exclusion may not apply to you.

This Limited Warranty does not apply if the LED Pool-Wall Light is subject to negligence, abnormal use or operation, accident, improper operation, improper voltage or current contrary to operating instructions, or to damage by circumstances beyond Intex's control, including but not limited to, ordinary wear and tear and damage caused by exposure to fire, flood, freezing, rain, or other external environmental forces. This Limited Warranty applies only to those parts and components sold by Intex. The Limited Warranty does not cover unauthorized alterations, repairs or disassembly by anyone other than Intex Service Center personnel.

**DO NOT GO BACK TO THE PLACE OF PURCHASE FOR RETURN OR REPLACEMENT. IF YOU ARE MISSING PARTS OR NEED ASSISTANCE, PLEASE CALL US TOLL-FREE (FOR U.S. AND CANADIAN RESIDENTS): 1-800-234-6839.**

Proof of Purchase must accompany all returns or the warranty claim will be invalid.

**COUNTRIES/REGIONS****SERVICE CENTER LOCATIONS**

- UNITED STATES
- CANADA

**INTEX RECREATION CORP.**  
14779 Bar Harbor Road  
Fontana, CA 92336  
Tel: 1-800-234-6839  
Fax: 310-549-2900  
Website: [www.intexcorp.com](http://www.intexcorp.com) (U.S./Canada only)  
Consumer Service Hours: 8:30 am to 5:00 pm  
Pacific Time, Mon. thru Fri. only.

- MEXICO

**KAY INTERNACIONAL, S.A. DE C.V.**  
Avenida San Jeronimo #550-5° Piso, Col.  
Jardines del Pedregal, C.P. 01900  
México D.F.  
Tel: 01-800-347-4020 (Collect Call)  
Tel: 55-9172-8035  
Fax: 55-9172-8047  
E-mail: [servicenter@kayinternacional.com](mailto:servicenter@kayinternacional.com)  
Website: [www.intexmexico.com.mx](http://www.intexmexico.com.mx)

- PANAMA
- PARAGUAY
- ECUADOR
- HONDURAS
- EL SALVADOR
- NICARAGUA

**SUPRO MUNDIAL S.A./  
PRODUCTOS SUPERIORES S.A.**  
Boulevard Andrews, Albrook,  
Panama, Rep. of Panama  
Tel: 507-300-3800  
Fax: 507-300-3813  
E-mail: [suproadmin@supropanama.com](mailto:suproadmin@supropanama.com)

- COSTA RICA
- DOMINICAN REPUBLIC
- GUATEMALA
- COLOMBIA
- VENEZUELA

**CENTURY USA, LLC**  
4731 W. Atlantic Ave., Suite B-3  
Delray Beach, FL 33445, USA  
Tel: 561-495-0648  
Fax: 561-495-4782  
E-mail: [sales@centuryusa.com](mailto:sales@centuryusa.com)

- MIDDLE EAST REGION

**FIRST GROUP INTERNATIONAL**  
Al Moosa Group Building, 1st Floor,  
Office 102 & 103, UMM Hurair Road,  
Karama, Dubai, UAE  
Tel: 00971-4-3373322  
Fax: 00971-4-3375115  
E-mail: [info@firstgroupinternational.com](mailto:info@firstgroupinternational.com)  
Website: [www.firstgroupinternational.com](http://www.firstgroupinternational.com)

- ASIA

**INTEX DEVELOPMENT CO. LTD.**  
8th Floor,  
Dah Sing Financial Centre  
108 Gloucester Road,  
Wanchai, Hong Kong  
Tel: 852-28270000  
Fax: 852-23118200  
E-mail: [xmservicesupport@intexcorp.com.cn](mailto:xmservicesupport@intexcorp.com.cn)  
Website: [www.intexdevelopment.com](http://www.intexdevelopment.com)

For answers to most frequently asked questions, please visit [www.intexcorp.com](http://www.intexcorp.com).  
Non U.S. Residents, please visit [www.intexdevelopment.com](http://www.intexdevelopment.com).

English

INTEX®

***For Residents of the U.S. & Canada:***

**INTEX RECREATION CORP.**

**Attn: Consumer Service**

**14779 Bar Harbor Road**

**Fontana, CA 92336**

**Phone: 1-800-234-6839**

**Fax: (310) 549-2900**

**Consumer Service Hours:**

**8:30 am to 5:00 pm Pacific time**

**Monday thru Friday only**

**Website: [www.intexcorp.com](http://www.intexcorp.com)**

***For Residents outside of the U.S. and Canada:***

***Please refer to the Service Center Locations***

©2009 Intex Marketing Ltd. - Intex Development Co. Ltd. -  
Intex Trading Ltd. - Intex Recreation Corp.

All rights reserved/Tous droits réservés/Todos los  
derechos reservados/Alle Rechte vorbehalten.

Printed in China/Imprimé en Chine/Impreso en  
China/Gedruckt in China.

®™ Trademarks used in some countries of the world under  
license from/®™ Marques utilisées dans certains pays sous  
licence de/Marcas registradas utilizadas en algunos países  
del mundo bajo licencia de/Warenzeichen verwendet in  
einigen Ländern der Welt in Lizenz von/Intex Marketing Ltd.  
to/à/a/an Intex Trading Ltd., Intex Development Co. Ltd.,  
G.P.O Box 28829, Hong Kong & Intex Recreation Corp.,  
P.O. Box 1440, Long Beach, CA 90801 • Distributed in the  
European Union by/Distribué dans l'Union Européenne  
par/Distribuido en la unión Europea por/Vertrieb in der  
Europäischen Union durch/Intex Trading B.V., P.O. Box nr.  
1075 - 4700 BB Roosendaal - The Netherlands

 **INTEX®**