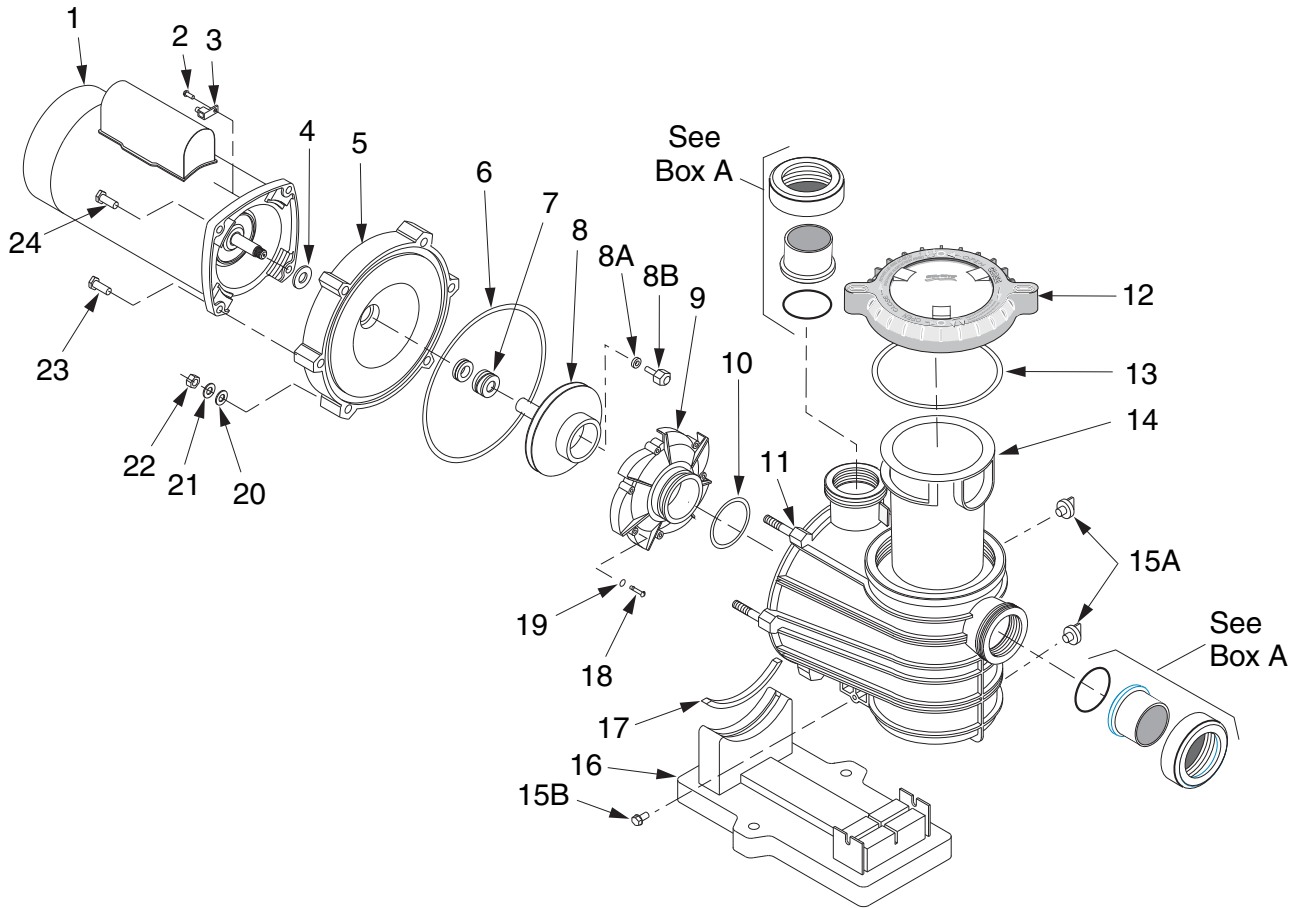


REPAIR PARTS LIST DYNA-PRO® POOL PUMP 1/2 through 2-1/2 HP Models Single Speed and Two Speed



Model No.	HP	Motor (Key No. 1)
Single Speed 115/230/60/1		
MPRA6D-204L	3/4	A100DLL
MPRA6E-205L	1	A100ELL
MPRA6F-206L	1-1/2	A100FLL
MPEA6D-204L	3/4	AE100DLL
MPEA6E-205L	1	AE100ELL
MPEA6F-206L	1-1/2	AE100FLL
MPE6C-204L	1/2	AE100CHL
MPE6D-205L	3/4	AE100DHL
MPE6E-206L	1	AE100EHL
230/60/1		
MPRA6G-207L	2	A100GLL
MPEA6G-207L	2	AE100GLL
MPEAA6G-208L	2-1/2	AE100G5LL
MPE6F-207L	1-1/2	AE100FHL
MPE6G-208L	2	AE100GHL
Two Speed 230/60/1		
MPRA6YF-206L	1-1/2	A100FLL-Y
MPEA6YG-207L	2	AE100GLL-Y
MPEAA6YG-208L	2-1/2	AE100G5LL-Y
MPE6YF-207L	1-1/2	AE100GLL-Y
MPE6YG-208L	2	AE100G5LL-Y

Box A

For quick disconnect pipe connections, purchase separately:
Pkg. 188 2" Slip 1/2 Union Kit or
Pkg. 189 2" NPT 1/2 Union Kit.

Includes:
U11-200PS Union Collar
U9-362 O-Ring
U11-196P 2" Slip adapter or
U11-199P 2" NPT adapter.

REPAIR PARTS LIST
DYNA-PRO® POOL PUMP
1/2 through 2-1/2 HP Models Single Speed and Two Speed

Key No.	Part Description	Qty.	MPEA6D-204L	MPEA6E-205L	MPEA6F-206L	MPEA6G-207L	MPEAA6G-208L
			MPE6C-204L MPRA6D-204L	MPE6D-205L MPRA6E-205L	MPE6E-206L MPRA6F-206L MPRA6YF-206L	MPE6F-207L MPEA6YG-207L MPE6YF-207L MPRA6G-207	MPE6G-208L MPEAA6YG-208L MPE6G-208L
2	Screw #10-32x1/2"	1	U30-692SS	U30-692SS	U30-692SS	U30-692SS	U30-692SS
3	Bonding ug	1	U17-568	U17-568	U17-568	U17-568	U17-568
4	Slinger	1	17351-0009	17351-0009	17351-0009	17351-0009	17351-0009
5	Seal Plate	1	C3-184P	C3-184P	C3-184P	C3-184P	C3-184P
6	Seal Plate Cord Ring	1	U9-373	U9-373	U9-373	U9-373	U9-373
7	Shaft Seal	1	37400-0027S	37400-0027S	37400-0027S	37400-0027S	37400-0027S
8	Impeller	1	C105-236P	C105-236PB	C105-236PC	C105-236PDA	C105-236PEA
8A	Gasket	1	—	—	—	33455-1047	33455-1047
8B	Impeller Lock Screw	1	—	—	—	37337-6080	37337-6080
9	Diffuser	1	C1-270PB	C1-270PC	C1-270P	C1-270P	C1-270P
10	Diffuser O-Ring	1	U9-374	U9-374	U9-374	U9-374	U9-374
11	Tank and Trap Body (Only)	1	C76-71P	C76-71P	C76-71P	C76-71P	C76-71P
12	Trap Lid and Ring Assembly	1	17307-0111S	17307-0111S	17307-0111S	17307-0111S	17307-0111S
13	Trap Cover O-Ring	1	35505-1440	35505-1440	35505-1440	35505-1440	35505-1440
14	Trap Basket	1	C8-58P	C8-58P	C8-58P	C8-58P	C8-58P
15A	Drain Plug	2	U178-920P	U178-920P	U178-920P	U178-920P	U178-920P
15B	Mounting Screw 5/16-14x5/8"	2	U30-919SS	U30-919SS	U30-919SS	U30-919SS	U30-919SS
16	Base - Plastic	1	C4-77P	C4-77P	C4-77P	C4-77P	C4-77P
17	Motor Pad - for Plastic Base	1	C35-45	C35-45	C35-45	C35-45	C35-45
18	Screw #8-32x7/8" Rd. Hd.	7	U30-542SS	U30-542SS	U30-542SS	U30-542SS	U30-542SS
19	Lock Washer #8 Ext. Tooth	7	U43-21SS	U43-21SS	U43-21SS	U43-21SS	U43-21SS
20	Flat Washer 3/8"	6	U43-62SS	U43-62SS	U43-62SS	U43-62SS	U43-62SS
21	Lock Washer 3/8"	6	U43-12SS	U43-12SS	U43-12SS	U43-12SS	U43-12SS
22	Nut 3/8-16 Hex	6	071403	071403	071403	071403	071403
23	Cap Screws 3/8-16x1-1/4" Hex. (LS Suffix)	2	—	—	U30-75SS	U30-75SS	U30-75SS
24	Cap Screws 3/8-16x1" Hex.	4	U30-74SS	U30-74SS	U30-74SS	U30-74SS	U30-74SS